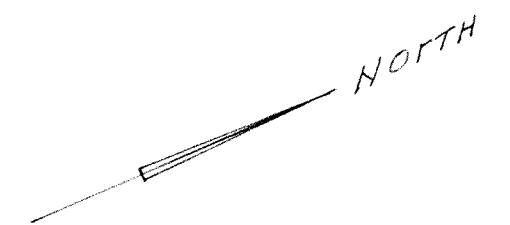




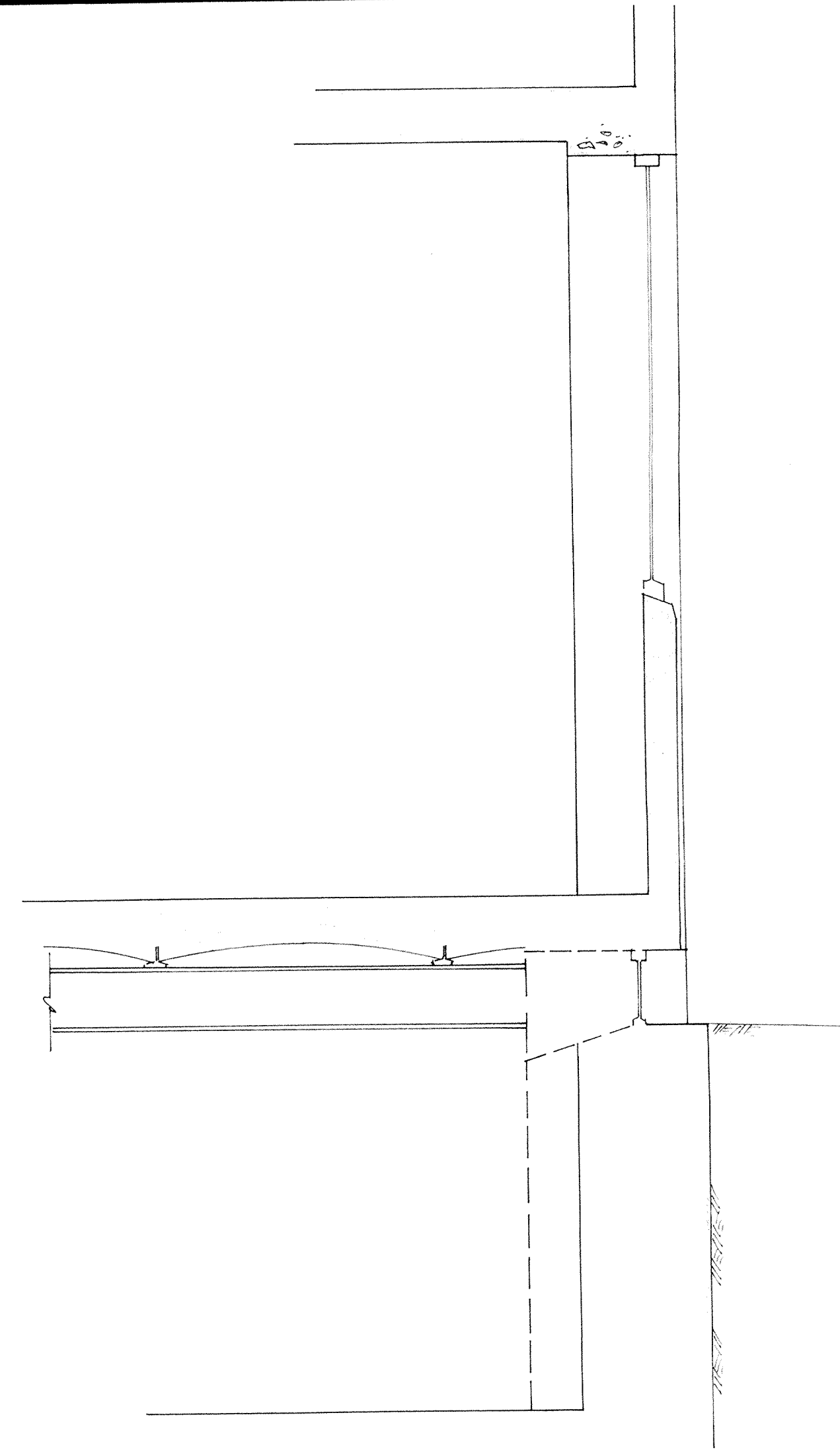
CUBA ST.

New Entrance.

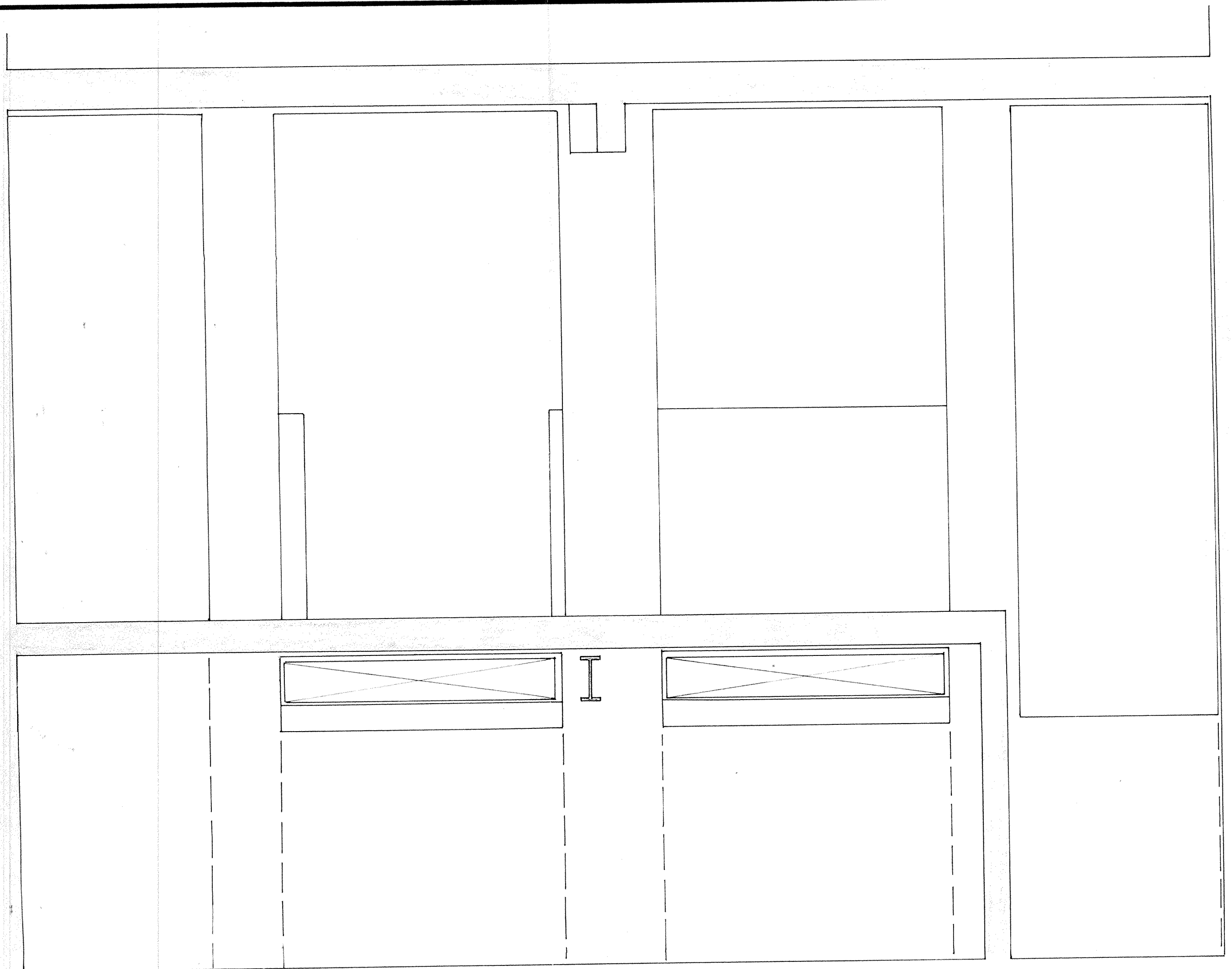
No. 45-47



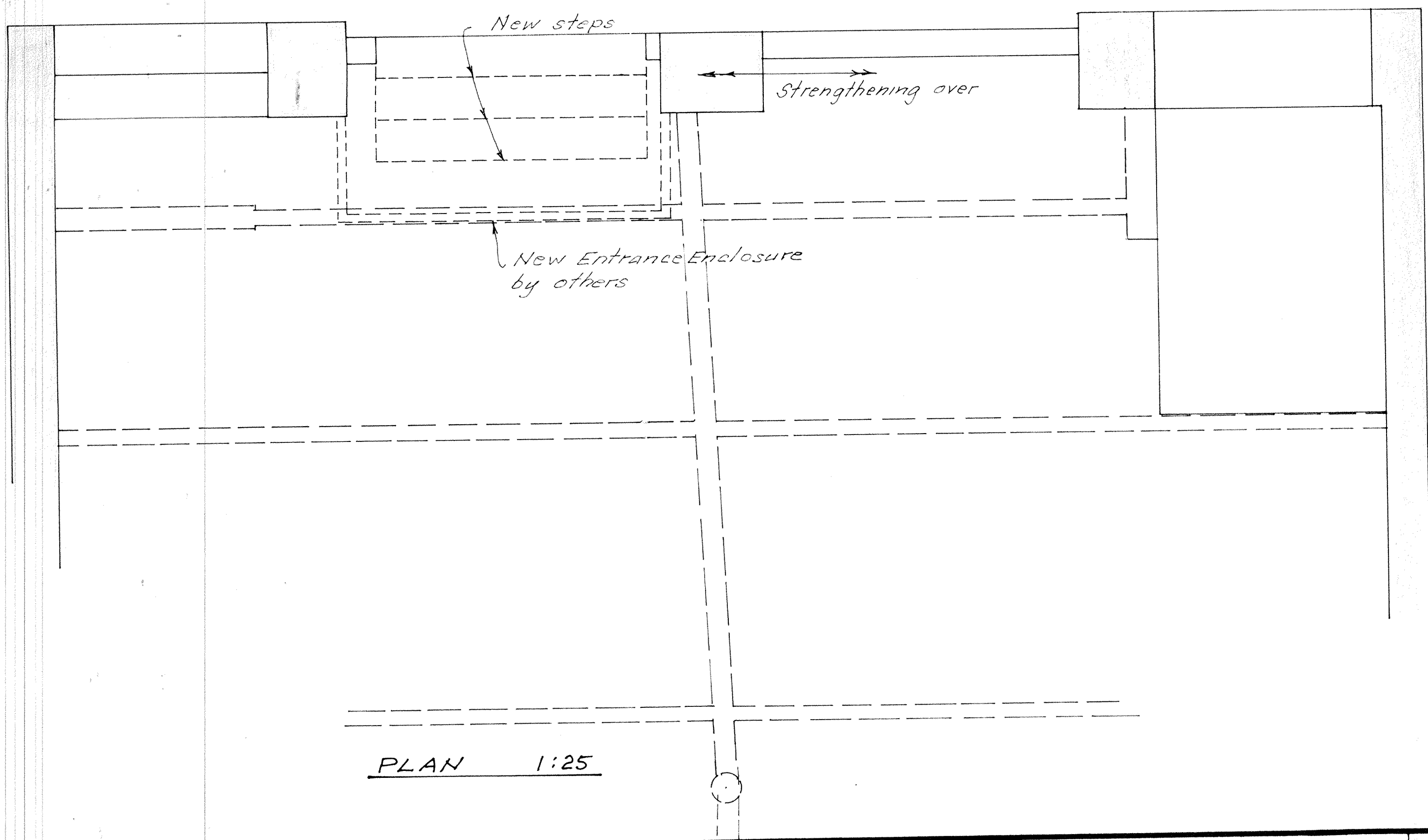
LOCATION PLAN 1:250



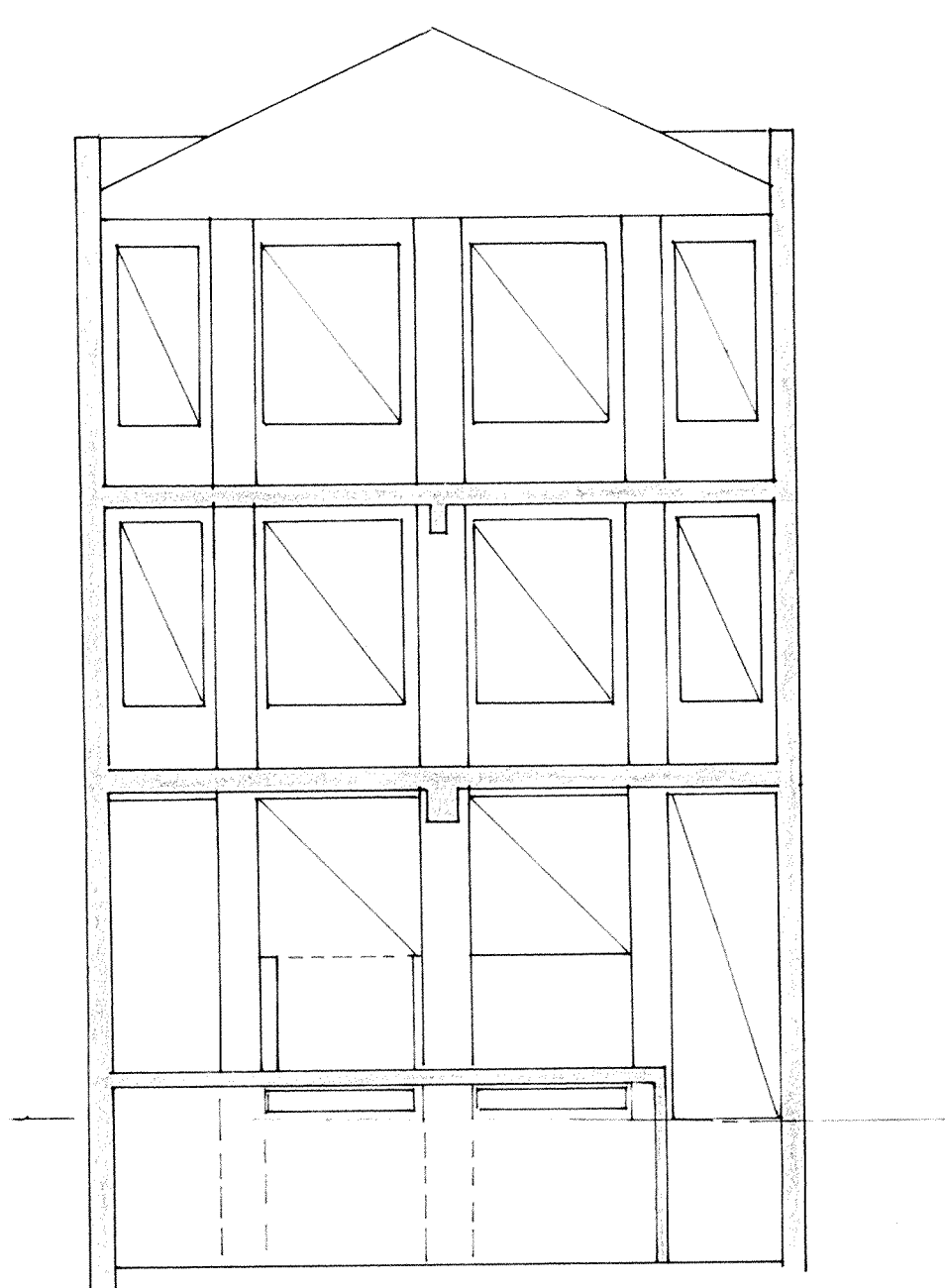
SECTION 1:25



INNER ELEVN 1:25

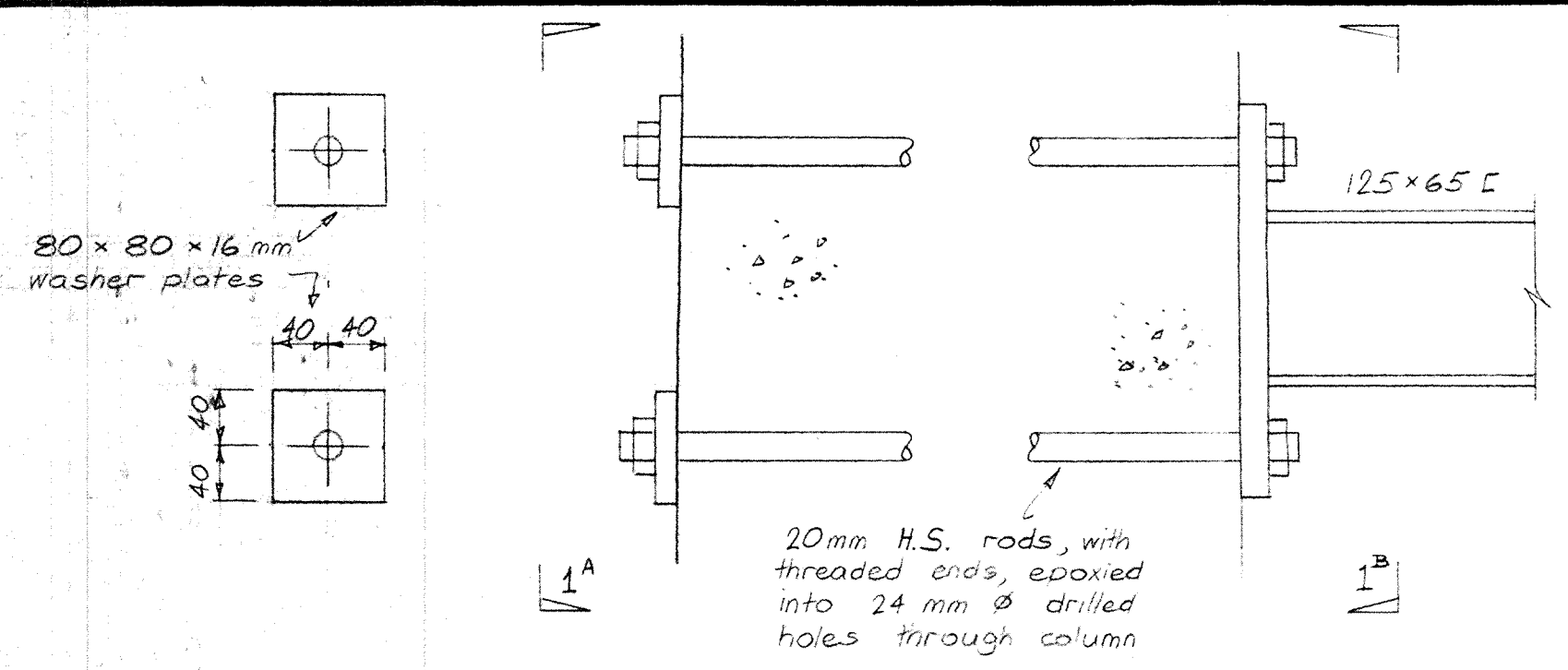


PLAN 1:25



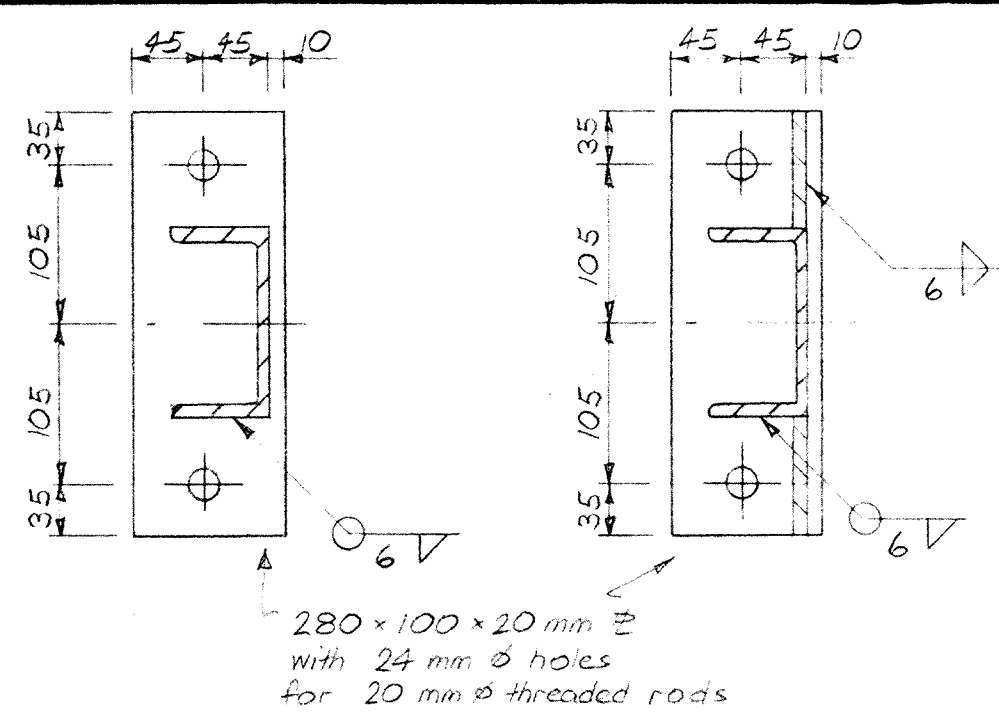
ELEVN FROM INSIDE 1:100

BY	DATE	REVISIONS	LETTER
CHAPMAN SANDERS CONSULTANTS CONSULTING STRUCTURAL & CIVIL ENGINEERS SUN ALLIANCE BUILDING 11-15 BRANDON STREET WELLINGTON TELEPHONE 724-648 P.O. BOX 2703			
NEW STREET ENTRANCE AT 45 - 47 CUBA STREET WELLINGTON			
AS EXISTING			
DATE July 1989		SCALE	
NO. OF SHEETS 2		1:100, 25	
DRN:	CHKD:		
JOB NO. D/1536	DRG NO.	S 1	



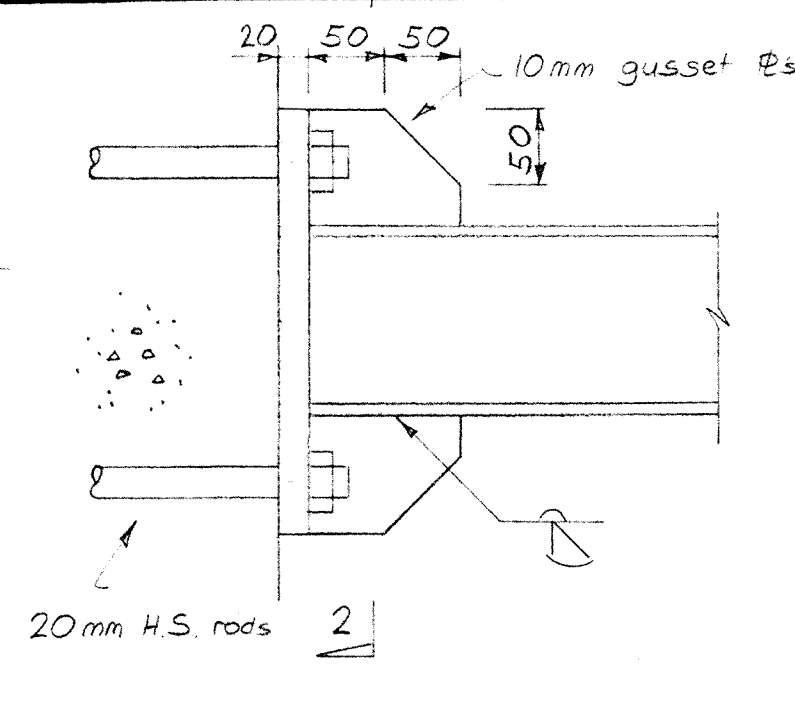
SECTION 1^A

DETAIL 1 1:5

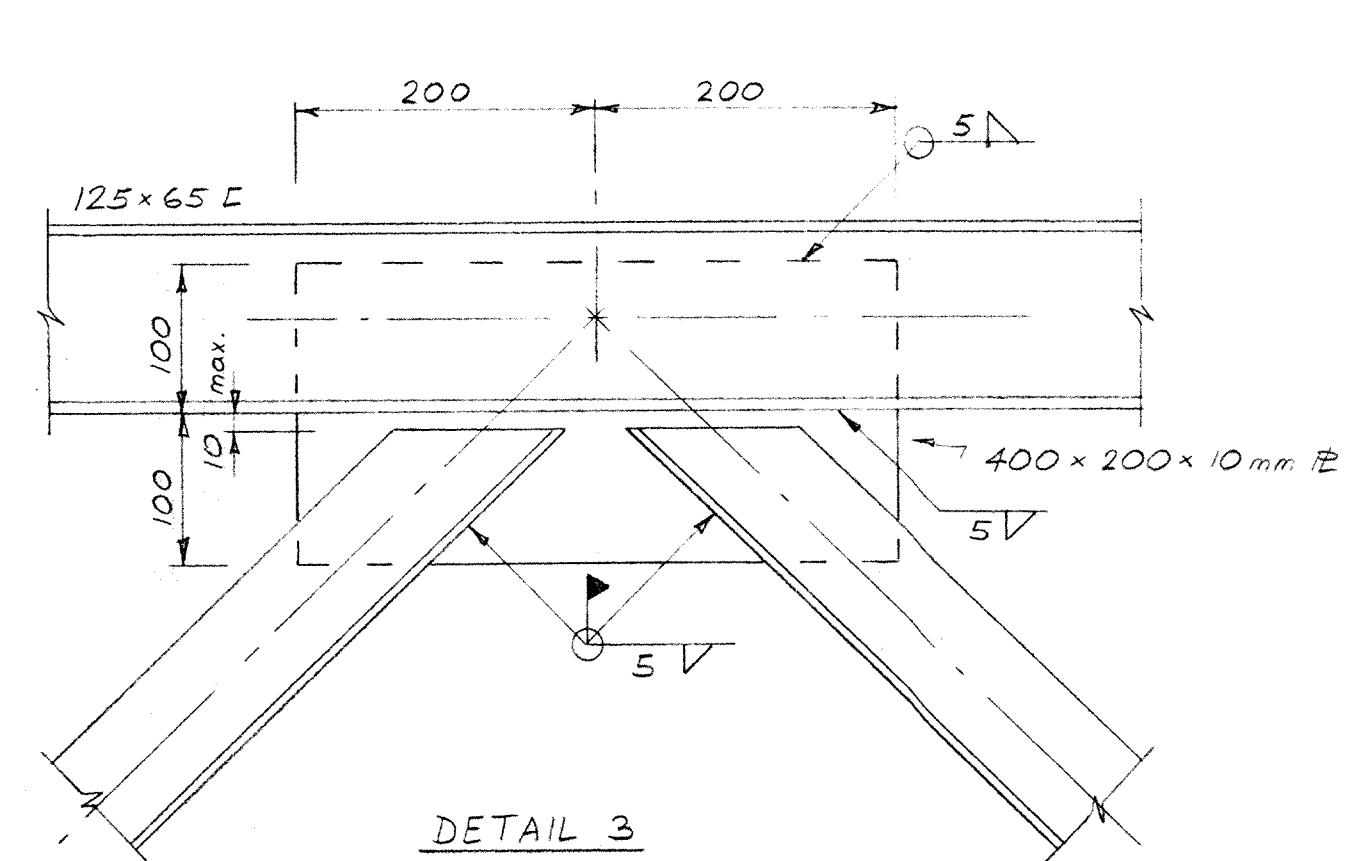


SECTION 1^B

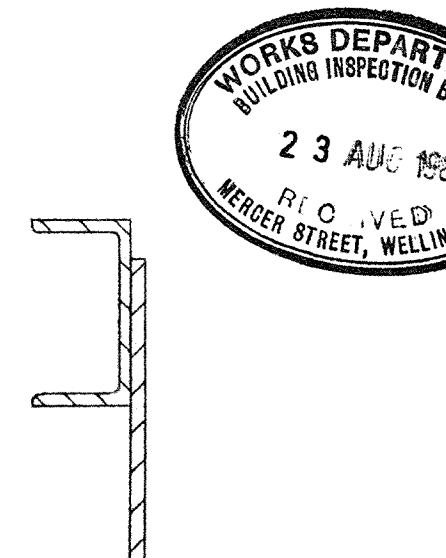
SECTION 2



DETAIL 2



DETAIL 3

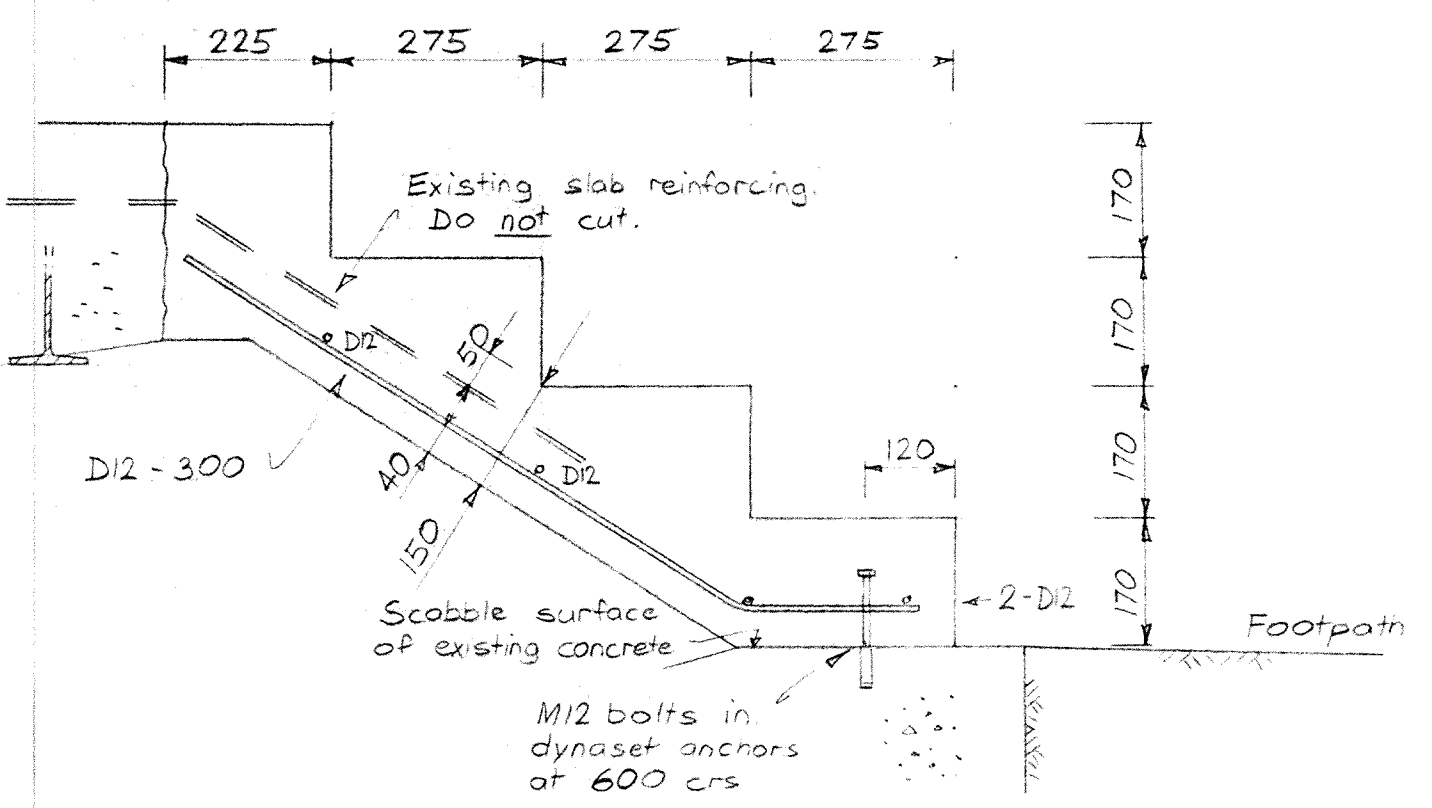


DETAIL 5

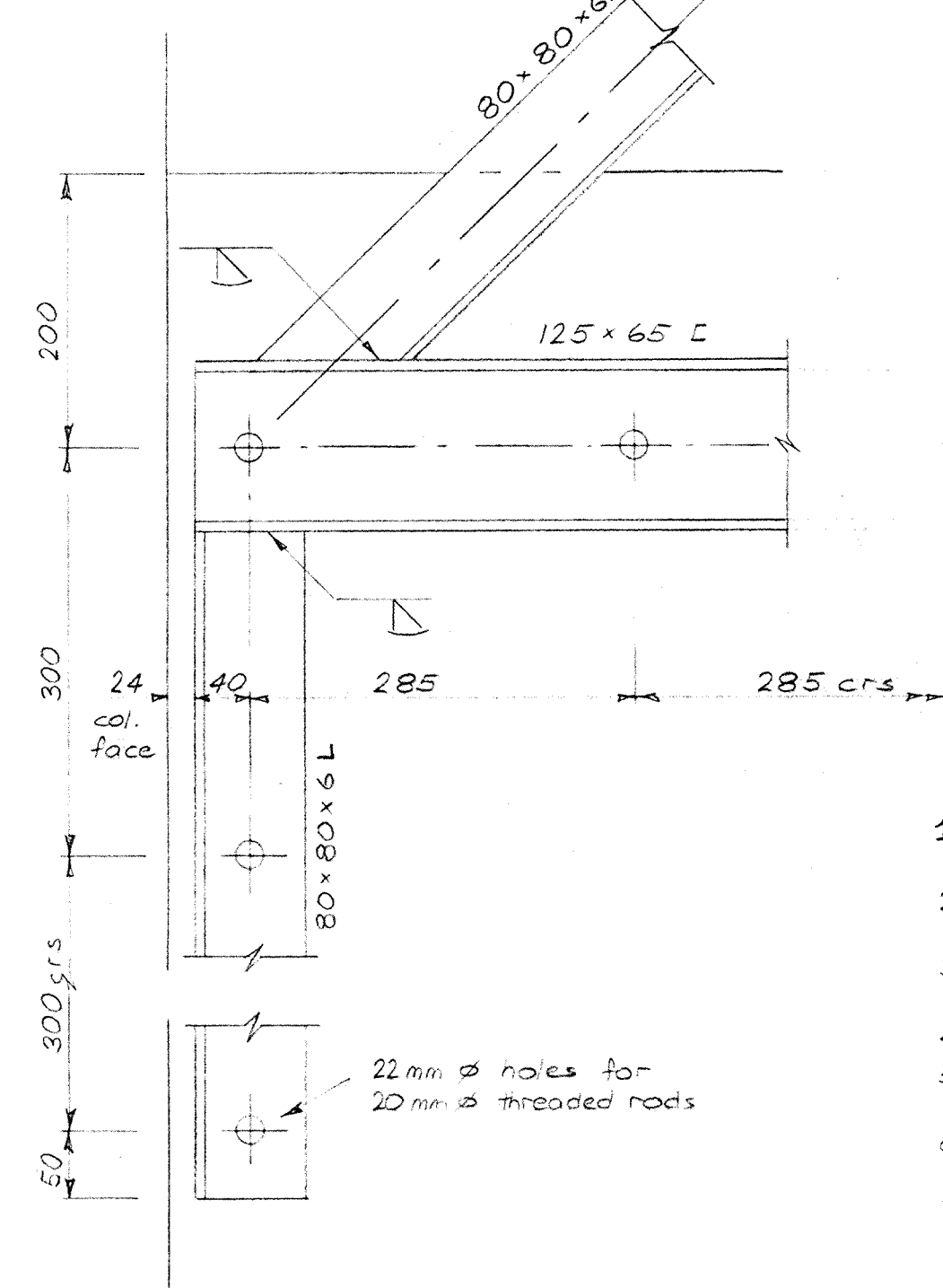
20mm ϕ rods, with threaded end, epoxied into 24mm ϕ holes

SPECIFICATION NOTES:

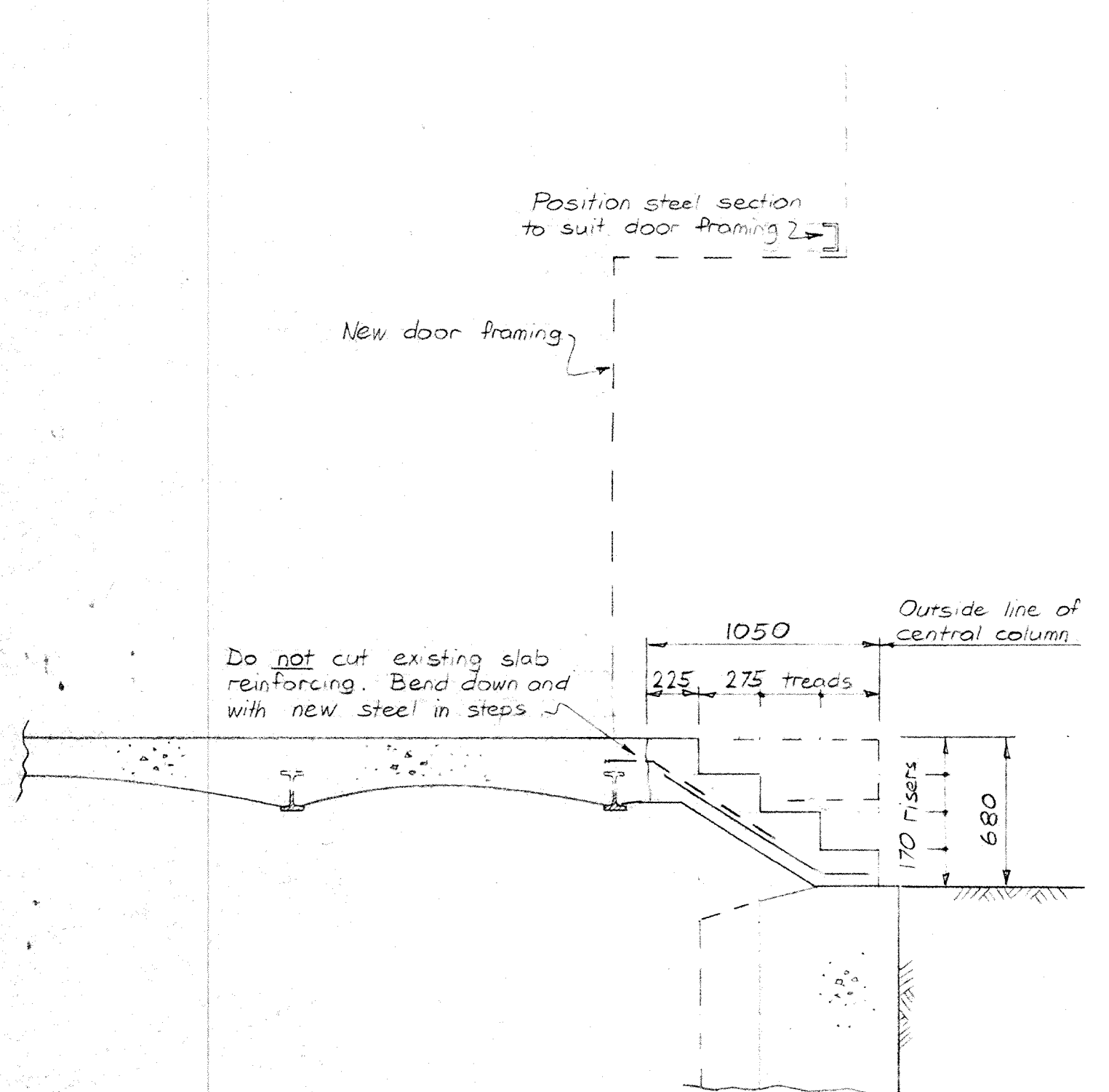
1. Concrete shall comply with NZS 3104 and have a 28 day strength of 20 Mpa.
2. Reinforcing shall comply with NZS 3402 P and be deformed, Grade 275 Mpa.
3. Concrete and reinforcing shall be placed in accordance with NZS 3109.
4. Lap lengths shall be 40 diameters.
5. Epoxy shall be mixed and applied in accordance with manufacturers instructions.
6. Structural steel shall comply with BS 4360:1979 (Grade 43). All holes shall be drilled.
7. Welding, surface preparation & fit up shall comply with NZS 4701:1981.
8. Fabrication and erection of structural steel shall comply with Section 11 of NZS 3404:1977.
9. No change or variation shall be made to any structural element without the approval in writing of the design Engineer (re. NZS 4203:3.9)



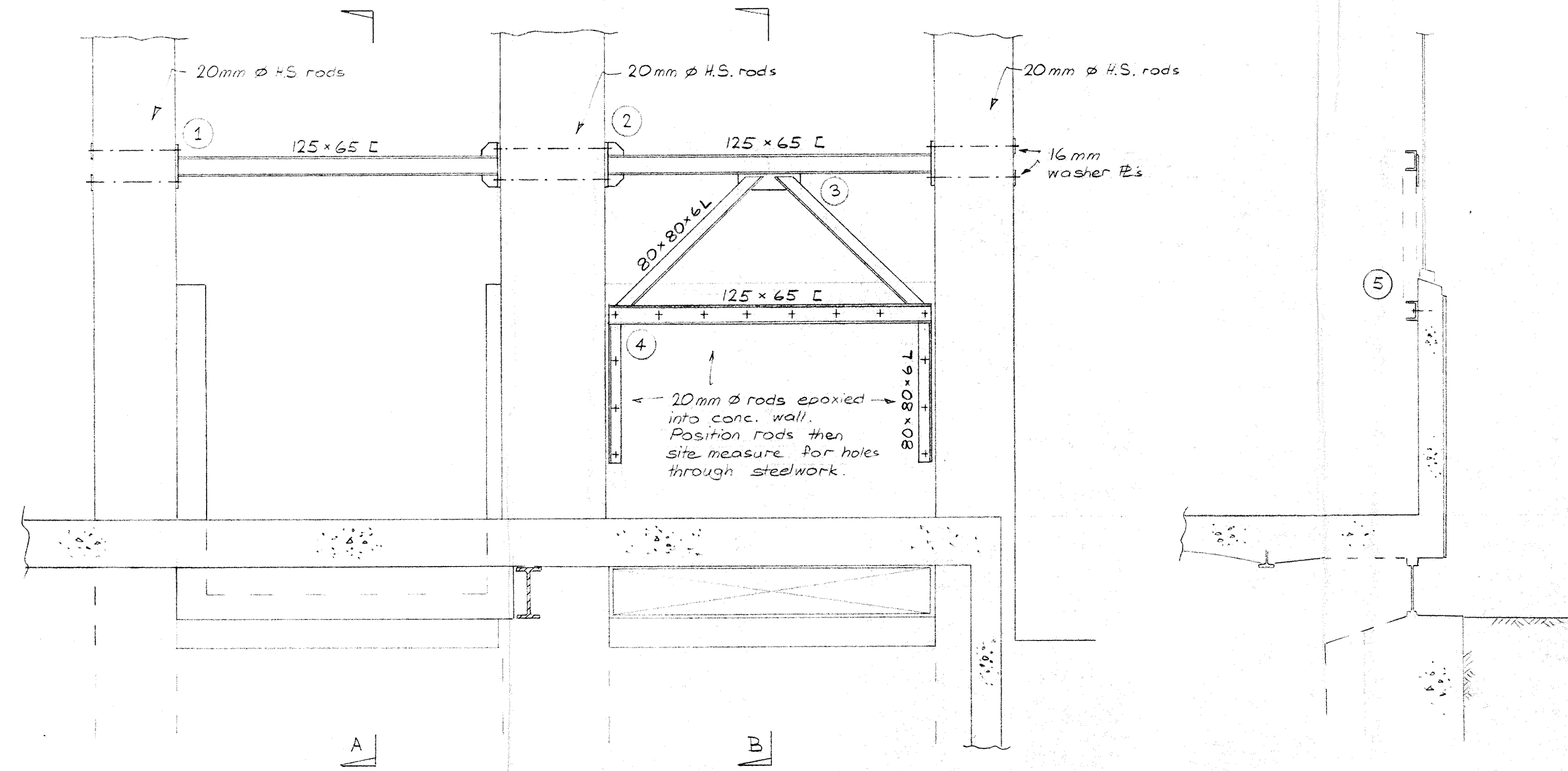
STEPS DETAIL 1:10



DETAIL 4



SECTION A



ELEVATION OF BRACING FRAME 1:25

SECTION B

BY	DATE	REVISIONS	LETTER
CHAPMAN SANDERS CONSULTANTS CONSULTING STRUCTURAL & CIVIL ENGINEERS SUN ALLIANCE BUILDING 11-15 BRANDON STREET WELLINGTON TELEPHONE 724-648 P.O. BOX 2703			
NEW STREET ENTRANCE AT 45 - 47 CUBA STREET WELLINGTON			
STRUCTURAL DETAILS			
DATE July 1989		SCALE	
NO. OF SHEETS 2		1:25, 10, 5	
DRN: R.M.W.	CHKD:		
JOB NO:	DRG NO.		
D/1536	S 2		